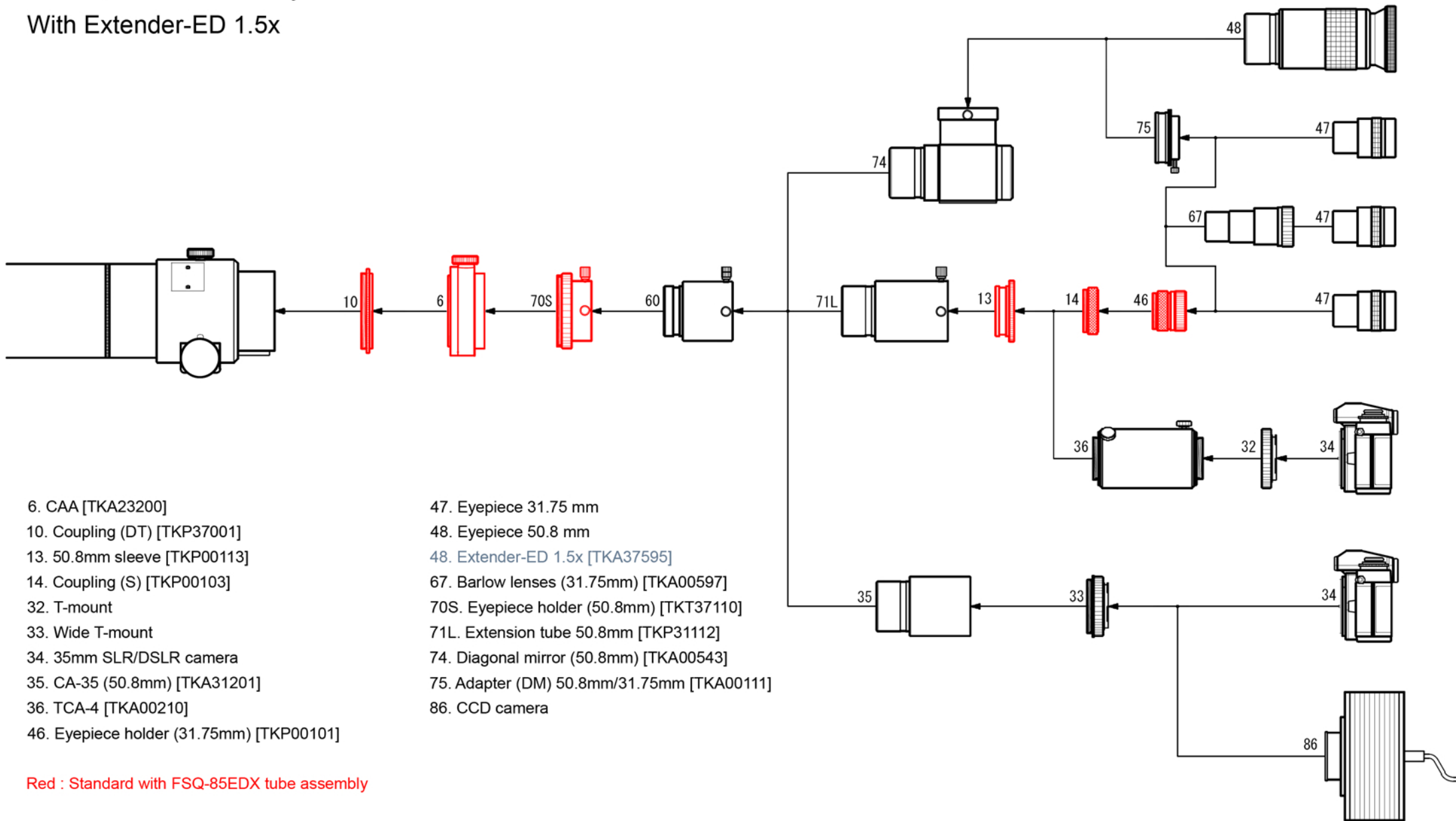


FSQ-85EDX system-chart

With Extender-ED 1.5x



- 6. CAA [TKA23200]
- 10. Coupling (DT) [TKP37001]
- 13. 50.8mm sleeve [TKP00113]
- 14. Coupling (S) [TKP00103]
- 32. T-mount
- 33. Wide T-mount
- 34. 35mm SLR/DSLR camera
- 35. CA-35 (50.8mm) [TKA31201]
- 36. TCA-4 [TKA00210]
- 46. Eyepiece holder (31.75mm) [TKP00101]

- 47. Eyepiece 31.75 mm
- 48. Eyepiece 50.8 mm
- 48. Extender-ED 1.5x [TKA37595]
- 67. Barlow lenses (31.75mm) [TKA00597]
- 70S. Eyepiece holder (50.8mm) [TKT37110]
- 71L. Extension tube 50.8mm [TKP31112]
- 74. Diagonal mirror (50.8mm) [TKA00543]
- 75. Adapter (DM) 50.8mm/31.75mm [TKA00111]
- 86. CCD camera

Red : Standard with FSQ-85EDX tube assembly